



FOR  
**LAND ROVER** FREELANDER II A/C+/- (01/07 >)



**PROTECT**

combined with  
active carbon



**715702**

FH270

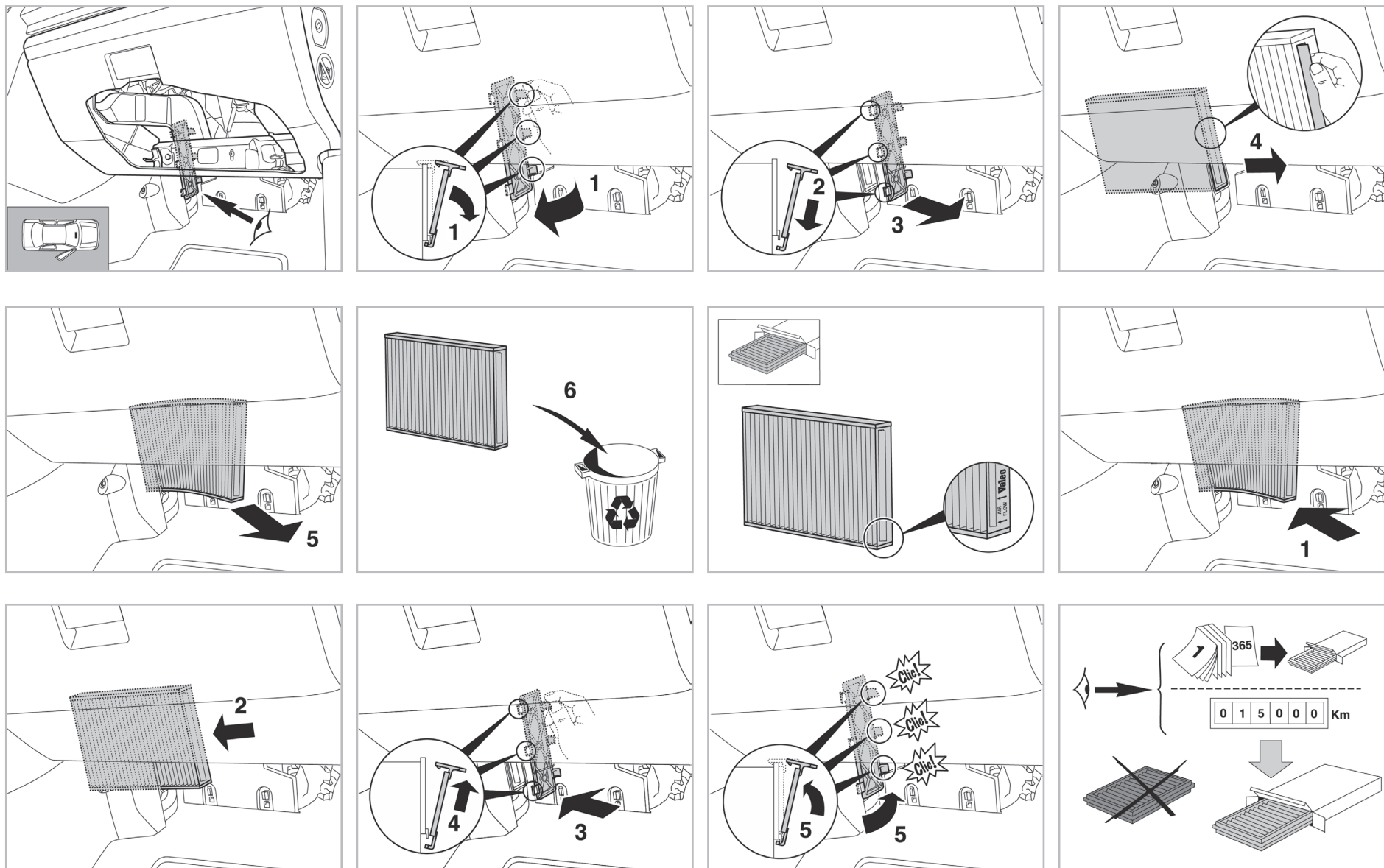


CA

**WANT TO  
KNOW MORE?**



[www.valeo-techassist.com](http://www.valeo-techassist.com)



Valeo Service - Société par Actions Simplifiée - Capital de 12 900 000 € - 70, rue Playel, 93285 Saint-Denis Cedex - France - B 306 486 408 RCS Bobigny



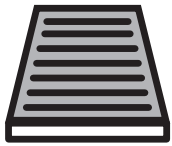
PROTECT

combined with active carbon



715702

FH270



CA

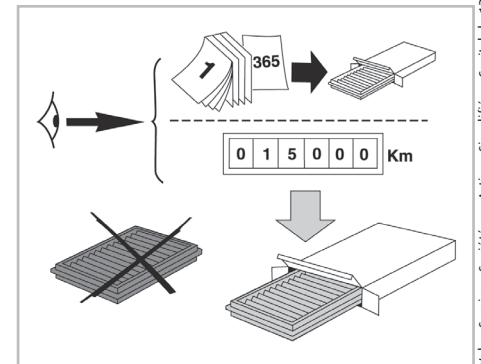
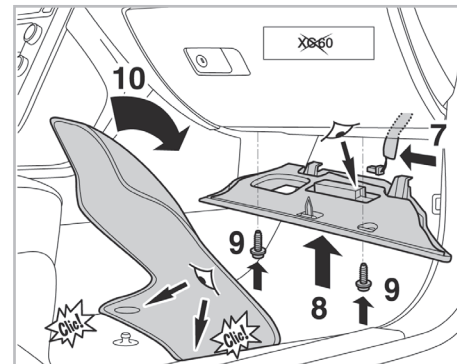
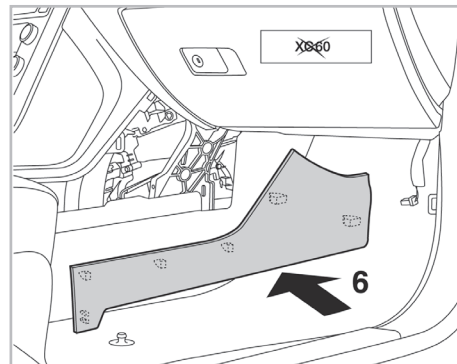
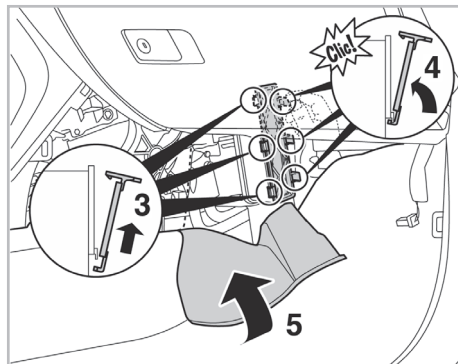
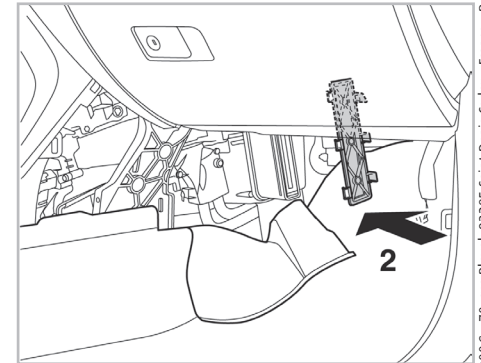
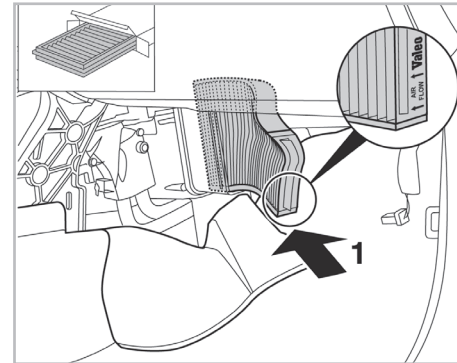
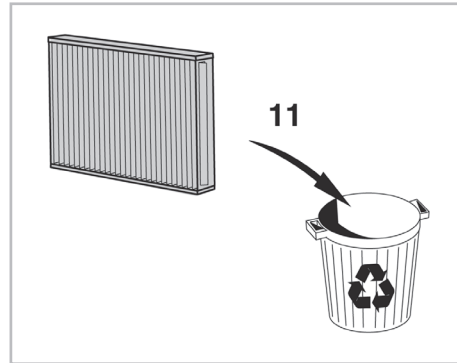
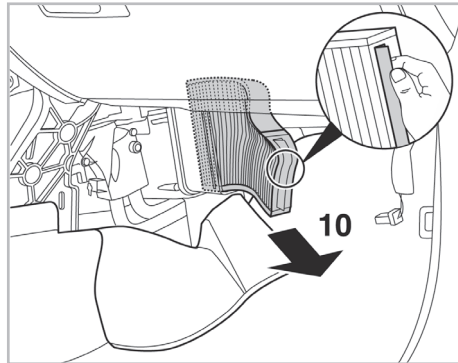
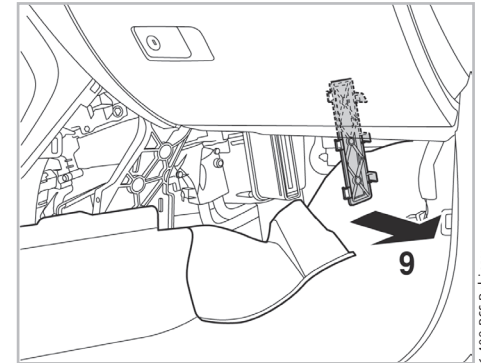
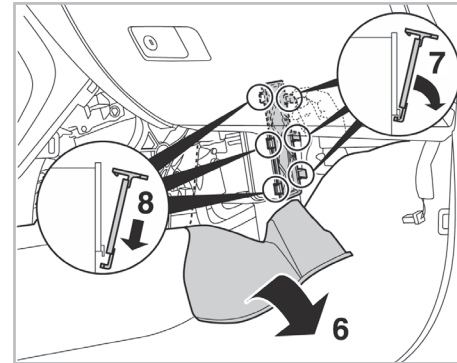
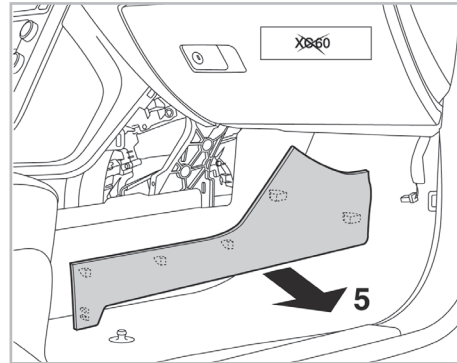
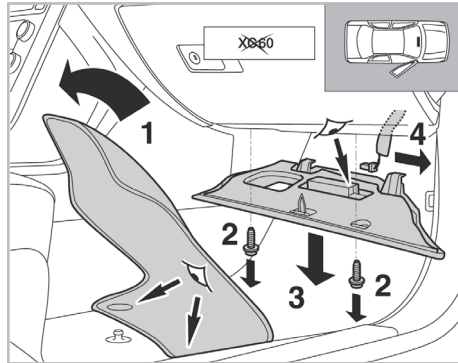
WANT TO KNOW MORE?



www.valeo-techassist.com

FOR  
VOLVO

S60 II / V60 A/C+ (07/10 >) / S80 II A/C+ (01/07 >) / V70 A/C+ (03/07 >) / XC60 A/C+ (10/08 >) / XC70 A/C+ (03/07 >)



Valeo Service - Société par Actions simplifiée - Capital de 12 900 000€ - 70, rue Playel, 93285 Saint-Denis Cedex - France - B 306 486 408 RCS Bobigny